



ANDROID POS

SRK-AD3511

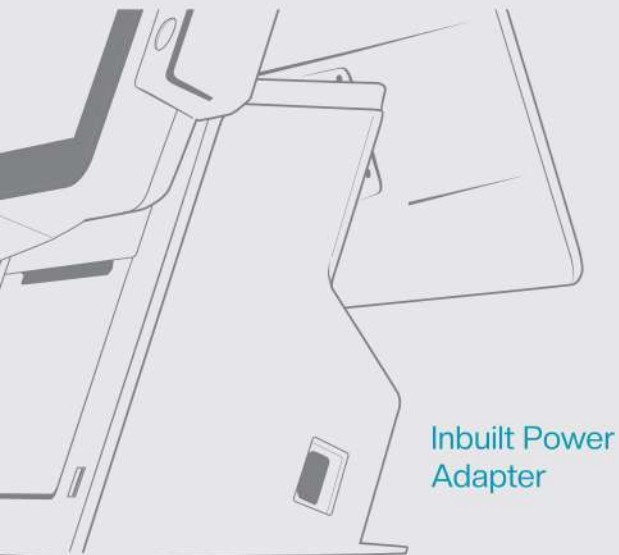
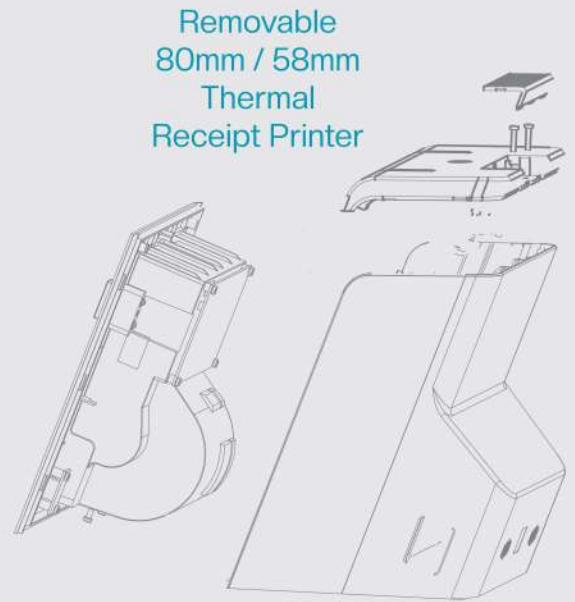
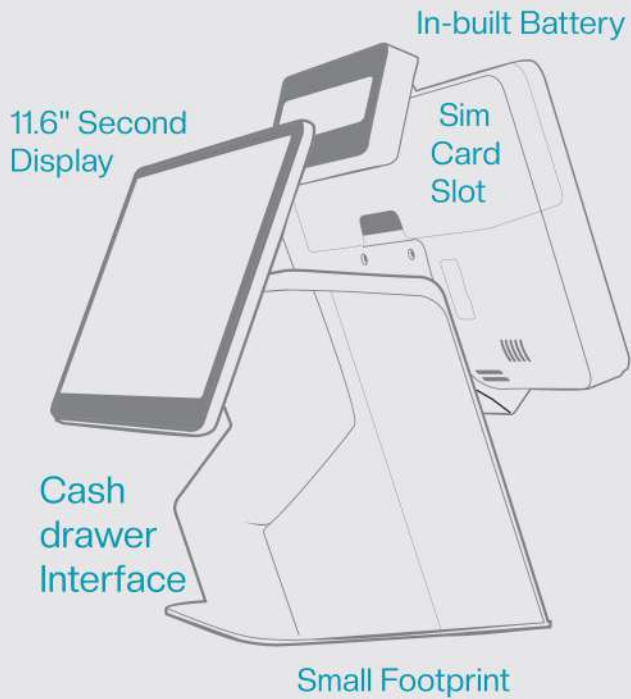


www.srkinnovations.com



Features

- ▶ 11.6" or 12.5" HD Display
- ▶ Projected Capacitive Touchscreen
- ▶ RK3566 Quad-core 2.0Ghz CPU
- ▶ 80mm & 58mm Thermal Printer, 250mm/sec
- ▶ Combo Card Reader – MSR, Fingerprint, ibutton, RFID+NFC
- ▶ 11.6" Second Display
- ▶ Built-in 2D Scanner
- ▶ Wi-Fi 2.4GHz, Bluetooth 4.0
- ▶ Rechargeable Battery support up to 1.5hrs
- ▶ Integrated Power Adapter
- ▶ In-built Cash Drawer Interface
- ▶ Easily replaceable Printer
- ▶ 4G Sim Card
- ▶ Compact Foot Print



Specifications

Configuration	CPU	RK3566, Quad-core Cortex-A55, Mali-G52 EE- 2.0Ghz
	Ram	2Gb DDR4 Ram (Optional 4Gb)
	EMMC/SSD	16Gb EMMC (Optional 32Gb)
Screen	Screen Size	11.6", 12.5"
	Interface	EDP
	Resolution	1366*768
	Brightness	220-250nits
Touch screen	Touch Panel	Projected Capacitive
Difference		Single Display Support
OS	Android	Android 11
Interfaces	RS232	1
	USB	4
	TF Card	1
	Micro USB	1
	HDMI	Optional
	Audio	1
	LAN	1
	RJ11 Cash Drawer	1
	Speakers	1
Adapter	Power Adapter	24V, 5A
	Color	Black / White
	GW	6.5kg
	Box Dimension	41*42*30cm
POS Printer		
	Speed	250mm/sec
	Interface	USB + RS232
	Cutter	Partial Cut
	Buzzer	Yes
	Paper Size	80, 58mm



Optional Accessories

Second Display	11.6" Second Display, 1366*768, HDMI
SIM Card	4G
MSR	3 Track , USB, 10-120cm/s, 300-40000e
ibutton Reader	HF
RFID + NFC	Supports Mifare One S50, S70, Phone NFC, 13.56Mhz
FP Reader	Capacitive touch sensor, 160*160
Battery	18.5v, 2600Mah, 1.5hr to 2hr working time



9765629111 / 8411958300

info@srkinnovations.com

www.srkinnovations.com

