

zenpert

4T530

Desktop Thermal Transfer
Bar Code Printer

USER FRIENDLY DESIGN,
THE PERFECT FIT!



Fast speed
printing



User friendly
design



Varied printing
application



Reliable &
stable



Power saving



Clear print
quality

Feature

- Smooth printing experience
- Large supplies capacity – 300 meters (984') ribbon supply or 110 meters (361') ribbon supply on a 12.7 mm (0.5") core
- Print width up to 108 mm—supports multiple media types
- Position adjustable sensor – print precisely
- Automatic calibration – speed up printing test
- Media window design – easily check supplies stock status
- High-class thermal printing head – clear print quality and enhance durability
- User friendly design for easy installing media and ribbon
- USB 2.0 fast transmission speed
- Print quietly – low operation noise providing quality working environment
- Optimized heat radiation design – durable for large volume printing

Advantages



Compact design and stable
performance



Two printing methods –
support direct thermal &
thermal transfer



Varied printing
application –
offer labeling software

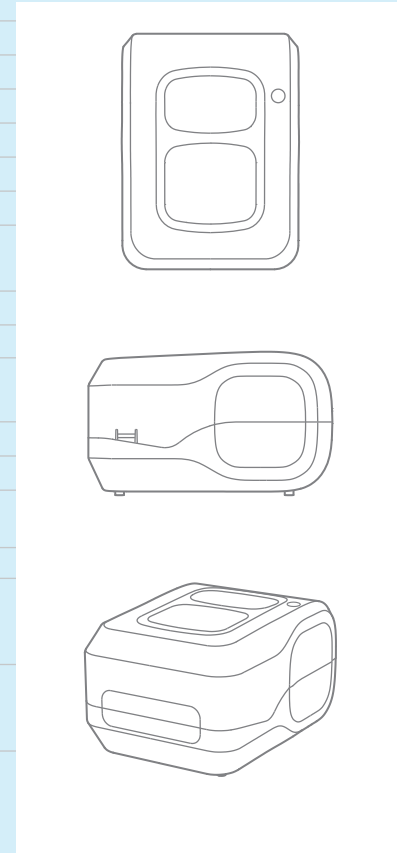


Print fast (6 ips) –
save working time

4T530

Desktop Thermal Transfer Bar Code Printer

PRINTER MODEL	4T530
Resolution	12 dots/mm (300 DPI)
Printing method	Thermal Transfer & Direct Thermal
Max. print speed	102 mm(4")/ second
Max. print width	105.6 mm (4.16")
Max. print length	11,430 mm (450")
Enclosure	PC and ABS plastic
Physical dimension	211 mm(W) x 164 mm(H) x 279 mm(D) 8.31"(W) x 6.46"(H) x 10.98"(D)
Weight	2.0 kg (4.41 lbs.)
Label roll capacity	127 mm (5")OD
Ribbon	300 m long, max. OD 67 mm, 1" core (ink coated outside) 110 m long, max. OD 40 mm, 0.5" core (ink coated outside)
Ribbon width	40 mm ~ 110 mm (1.6" ~ 4.3")
Processor	32-bit RISC CPU
Memory	· 16 MB Flash memory · 64 MB SDRAM
Interface	USB 2.0
Power	External universal switching power supply · Input : AC 100-240V, 2.0A, 50-60Hz · Output : DC 24V, 2.0A, 48W
Operation switch, button, LED	· 1 Power switch · 1 operation button (pause/feed) · 1 LED (3 colors : green \ orange & red)
Sensors	· Transmissive gap sensor · Black mark reflective sensor · Ribbon end sensor · Head open sensor
Internal fonts	· 8 alpha-numeric bitmap fonts · Windows font can be downloaded by software
Bar code	· 1D barcode Code 128UCC, Code 128 subsets A, B, C, EAN128, Interleaved 2 of 5, Interleaved 2 of 5 with check digit, Code 39, Code 39 with check digit, Code 93, EAN13, EAN8, UPCA, UPCE, EAN and UPC 2 (5) digits add-on, Codabar, Postnet, MSI, MSI with check digit, PLESSEY, China post, ITF14, Code 11, TELEPEN, TELEPENN, PLANET, Code49, Deutsche Post Identcode, Deutsche Post Leitcode, LOGMARS · 2D barcode GS1 DataBar, GS1 DataMatrix, Maxicode, AZTEC, PDF417, QR Code, Micro PDF 417
Font and barcode rotation	0° \ 90° \ 180° \ 270°
Printer language	TSPL-EZD (Compatible with EPL, ZPL, ZPL II, DPL)
Media type	Continuous \ die-cut \ black mark \ fan-fold (outside wound)
Media width	19 ~ 118 mm (0.8" ~ 4.6")
Media thickness	0.06 ~ 0.19 mm (2.36 ~ 7.48 mil)
Media core diameter	25.4 mm (1.0")
Label length	5 ~ 11,430 mm (0.2" ~ 450")
Environment condition	Operation: 0 ~ 40°C, humidity (non-condensing) 10 ~ 85% Storage: -20 ~ 60°C, humidity (non-condensing) 5 ~ 90%
Safety regulation	BIS, KC
Environmental concern	Comply with RoHS, REACH, WEEE
Accessories	· Quick start guide · USB cable · Power cord · External universal switching power supply · Label spindle x 1, fixing tab x 2 · 1" ribbon spindle x 2 · 0.5" ribbon spindle x 2



Part number	Description
2024070029	Zenpert 4T530